

THIS DOCUMENT CONTAINS PROPRIETARY DATA OF POLARIS INDUSTRIAL ENTERPRISES, INC. NO DISCLOSURE, REPRODUCTION, OR USE OF ANY PART THERE OF MAY BE MADE EXCEPT BY WRITTEN PERMISSION.

P/N VK8-062-V

REV. BY DATE APPRVD.

VALVE

TYPE — — — — — METERING
 MODEL — — — — — SS-4L-VI
 MANUFACTURE — — — — — NUPRO
 ORIFICE — — — — — 0.128
 CV — — — — — 0.15
 STEM TYPE — — — — — NEEDLE
 FITTINGS — — — — — 1/4 SWAGelok
 MAX. PRESSURE — — — — — 1000 PSIG
 TEMPERATURE RANGE — — — — — -23°C TO +204°C

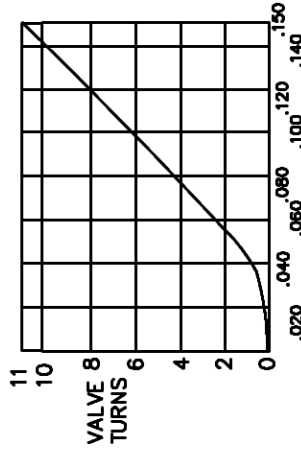
BRACKET
 ALUMINUM ANODIZED
COUPLER
 BRASS NICKEL PLATED
 SET SCREWS, PINS
 ARE STAINLESS STEEL

MATERIAL:
 BODY — — — — — SS
 STEM — — — — — SS
 SEAL — — — — — VITON

ROTATIONAL LIFE CAN DEPEND ON MANY VARIABLES, SUCH AS, SEAL TYPE, PRESSURE DROP, TYPE OF GAS OR FLUID METERED, DUTY CYCLE, ETC.

CONTACT ETI SYSTEMS FOR MORE INFORMATION.

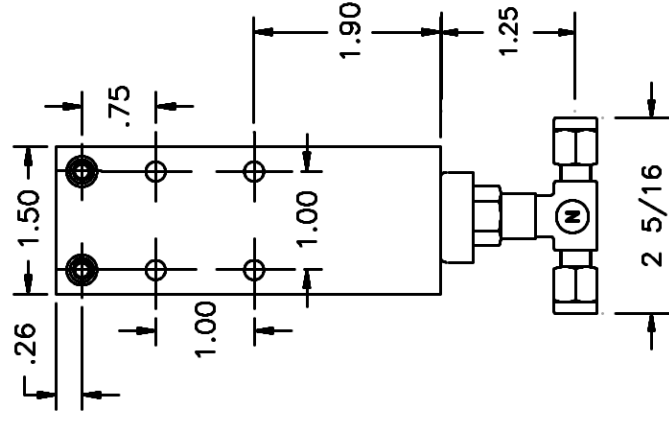
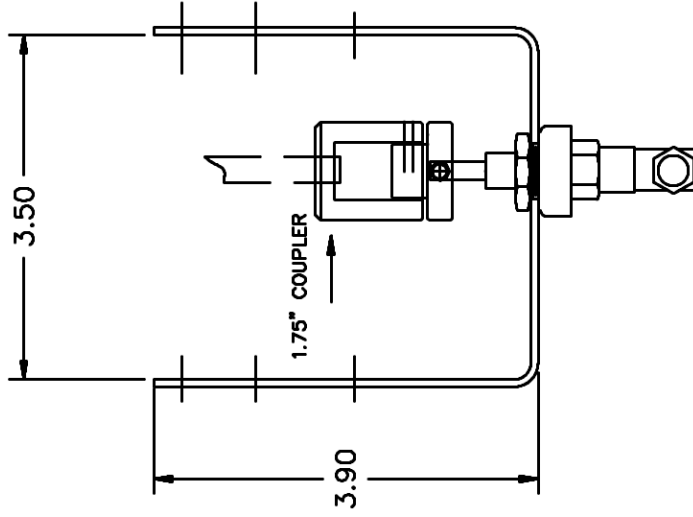
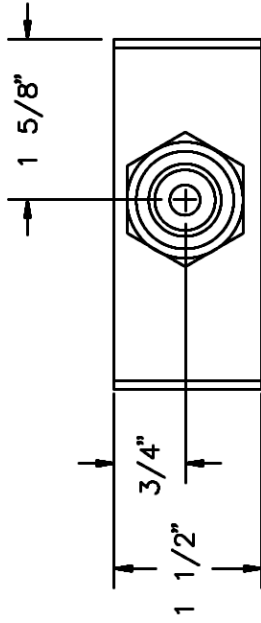
FLOW COEFFICIENT (CV)



NOTE:

ALL VALVE DATA IS OFFERED ONLY AS GUIDELINES AND IS NOT WARRANTED BY ETI SYSTEMS INC. CHECK THE VALVE MANUFACTURERS' SPECIFICATIONS FOR PERFORMANCE CRITERIA.

ETI SYSTEMS ASSUMES NO LIABILITY FOR VALVE FAILURES. (SEE ETI SYSTEMS TERMS AND CONDITIONS FOR ACTUATOR LIABILITY LIMITATIONS)



TOLERANCES
 XX = +/- .010" FRACT. = +/- 1/64"
 XXX = +/- .005" ANGLES = +/- 1/2"
 ALL SPECIFICATIONS SUBJECT TO CHANGE WITHOUT NOTICE.

SCALE 1/2
 DATE: 7-31-01
 BY
 APPROVD AT
 CODE IDENT: 19477



ETI SYSTEMS
 CARLSBAD
 CALIFORNIA

TITLE
 VALVE
 KIT

PART NO.
 VK8-062-V

USED ON